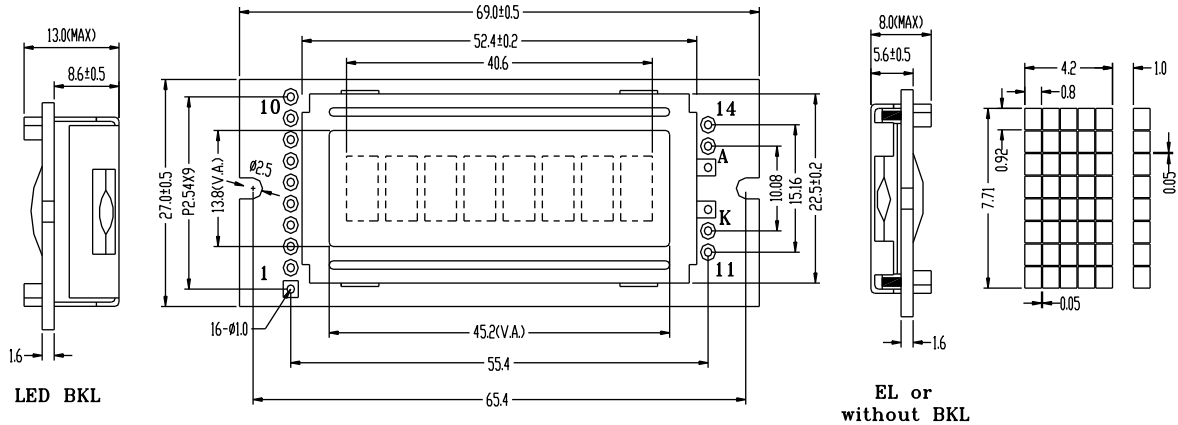


Outline Dimension



Feature

1. 5X8 dots with cursor
2. Built-in controller (KS0066U or Equivalent)
3. +5V power supply(Also available for +3.0V)
4. 1/8 duty cycle
5. N.V.optional

Interface pin connections

PIN NO	Symbol	Function
1	VSS □	GND
2	VDD □	+5V
3	V0	Contrast adjustment
4	RS	H/L Register select signal
5	R/W	H/L Read/Write signal
6	E	H/L Enable signal
7	DB4 □	Four high order bi-directional three-state data bus lines.Used for data transfer between the MPU
8	DB5 □	
9	DB6 □	
10	DB7 □	
11	DB0 □	Four low order bi-directional three-state data bus lines.Used for data transfer between the MPU and the LCM
12	DB1 □	
13	DB2 □	
14	DB3 □	
A	LED+ □	+4.2V for BKL
K	LED- □	Power supply for BKL(0V)

Mechanical Data

Item	Standard	Unit
Module dimension	69.0x27.0	mm
Viewing area	45.20x13.80	mm
Dot size	0.80x0.92	mm
Character size	4.20x7.71	mm

Absolute Maximum Rating

Item	Symbol	Standard			Unit
		Min	Typ	Max	
Power supply	VDD-VSS	-0.3	-----	5.5	V
Input voltage	VI	-0.3	-----	VDD	

Electronical characteristics

Item	Symbol	Condition	Standard			Unit
			Min	Typ	Max	
Input voltage	VDD	+5V	4.7	5.0	5.5	V
		+3.3V	2.7	3.0	5.3	V
Supply current	I _{DD}	VDD=5V	-----	1.3	2.5	mA
Recommended LCD driving voltage for normal temp version module	VDD-V0	-20°C	-----	-----	-----	V
		0 °C	4.7	5.0	5.5	
		25°C	4.3	4.5	4.7	
		50°C	4.1	4.3	4.5	
LED forward voltage	VF	25°C	-----	4.2	-----	V
LED forward current	IF	25°C	-----	70	-----	mA
EL power supply current	I _{EL}	V _{EL} =110V AC 400Hz	-----	-----	-----	mA

Display character address code:

Display position 1 2 3 4 5 6 7 8
 DDRAM address 00 01 02 --- --- 07H