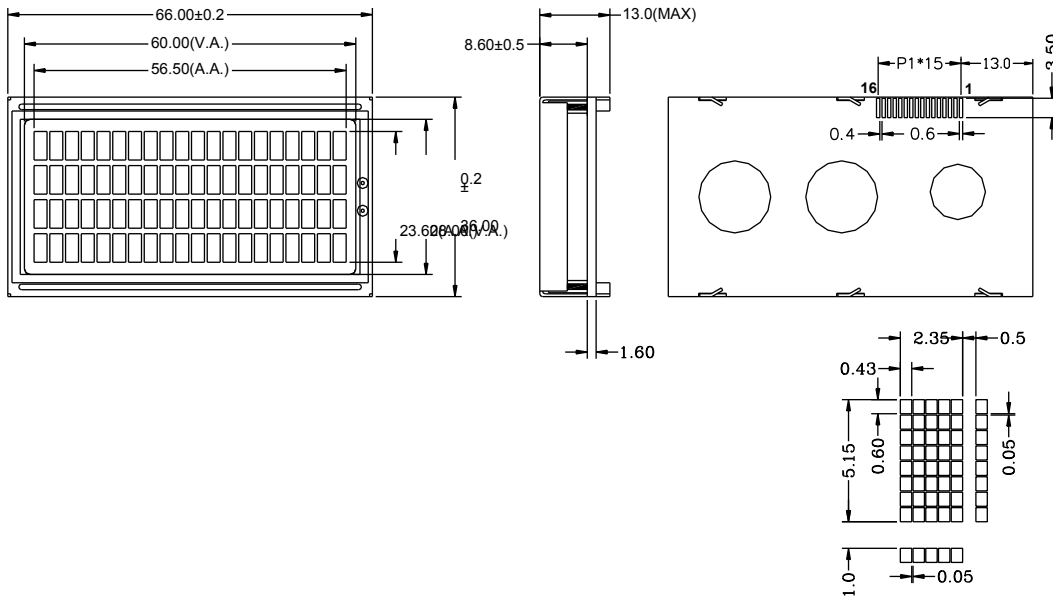


Outline Dimension



Feature

1. 5X8 dots with cursor
2. Built-in controller (S6A0069 or Equivalent)
3. +5V power supply (Also available for +3.0V)
4. 1/16 duty cycle
5. Display Mode: STN (Yellow-green),
6. Viewing angle: 6:00 O'clock
7. Backlight (Yellow-Green) to be driven by pin 15, pin 16
8. N.V. optional

Interface pin connections

PIN NO	Symbol	Function
1	VSS	GND
2	VDD	+5V
3	V0	Contrast adjustment
4	RS	H/L Register select signal
5	R/W	H/L Read/Write signal
6	E	H/L Enable signal
7	DB0	H/L Data bus line
8	DB1	H/L Data bus line
9	DB2	H/L Data bus line
10	DB3	H/L Data bus line
11	DB4	H/L Data bus line
12	DB5	H/L Data bus line
13	DB6	H/L Data bus line
14	DB7	H/L Data bus line
15	A	+3.8V for BKL
16	K	Power supply for BKL (0V)

Mechanical Data

Item	Standard	Unit
Module dimension	66.0x36.0	mm
Viewing area	60.0x28.0	mm
Dot size	0.43x0.60	mm
Character size	2.35x5.15	mm

Absolute Maximum Rating

Item	Symbol	Standard			Unit
		Min	Typ	Max	
Power supply	VDD-VSS	-0.3	-----	7.0	V
Input voltage	VI	-0.3	-----	VDD+0.3	

Electronical characteristics

Item	Symbol	Condition	Standard			Unit
			Min	Typ	Max	
Input voltage	VDD	-----	2.7	-----	5.5	V
		-----	-----	-----	-----	V
Supply current	I _{DD}	VDD=5V	-----	1.5	3.0	mA
Recommended LCD driving voltage for normal temp version module	VDD-V0	-20°C	-----	-----	-----	V
		0 °C	4.7	4.7	5.0	
		25°C	4.3	4.6	4.7	
		50°C	4.1	4.3	4.5	
LED forward voltage	V _F	25°C	-----	4.2	4.6	V
LED forward current	I _F	25°C	-----	150	-----	mA
EL power supply current	I _{EL}	V _{EL} =110V AC 400Hz	-----	-----	-----	mA

Display character address code:

Display position

	1	2	3	---	---	---	---	---	19	20
DDRAM address	00	01	02	---	---	---	---	---	12H	13H
DDRAM address	40	41	42	---	---	---	---	---	52H	53H
DDRAM address	14	15	16	---	---	---	---	---	26H	27H
DDRAM address	54	55	56	---	---	---	---	---	66H	67H